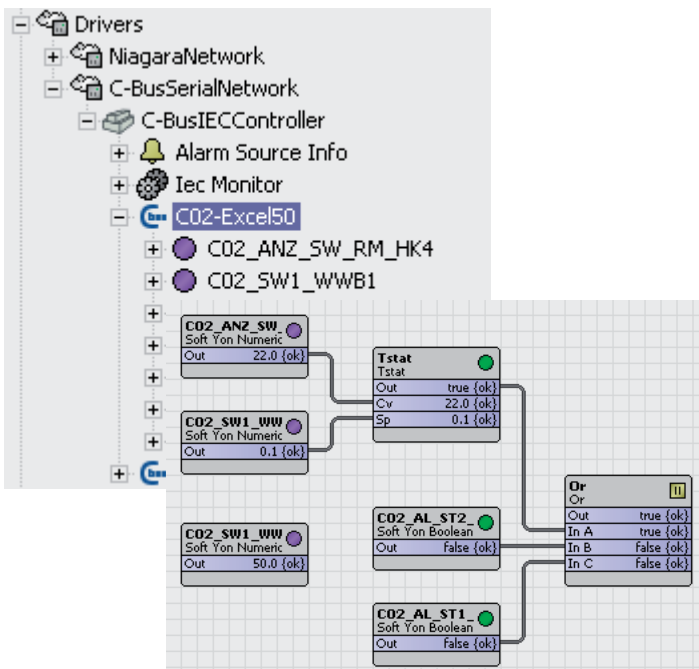


Niagara^{AX} C-Bus Connectivity

Niagara^{AX} C-Bus Connectivity is the solution for all Tridium partners looking for integration of the Honeywell Excel controller family. The C-Bus driver communicates with a wide range of Excel 5000 controllers. Information from the Excel IRC can be made available via the Excel 5000 controllers (e.g. XL500, XL100 and XL80) by generating remote points in these controllers. The driver links to the C-Bus via the Intelligent External Converter (IEC). This converter is a microprocessor based device for the physical connection to the C-BUS. There are serial and TCP/IP versions of the IEC, both supported by the driver.



- **Seamless** integration into the Niagara^{AX} framework
- **Connectivity** serial (RS-232, RS-485) and TCP/IP
- Flexible **sizing** up to 3000 points and 30 C-Bus devices per Driver network
- **Reading and writing** DDC points of type Digital Input, Digital Output, Analog Input, Analog Output, Pseudo Digital (Virtual), Pseudo Analog (Virtual), Totalizer (Slow & Fast), Pulse, Multistate
- Support for C-Bus **extended attributes**
- **Compatibility** with controllers of the Excel 5000 family (XL50, XL80, XL100, XL500 and XL600)
- **NEW point discovery**
- **NEW alarm integration**

The driver runs on all Tridium stations such as Jace or Supervisor and perfectly integrates into the Niagara^{AX} Workbench. This minimizes the learning curve and provides an efficient way for integration of C-Bus with other protocols supported by Niagara^{AX}.

